

201 系列普通压力表

201 Standard Pressure Gauges

Description

201 系列对黄铜、磷青铜或铍铜无腐蚀性的压力介质。最常见的应用为空气、石油、天然气和水设施。

201 series are used in where the pressure medium is no-corrosive to brass, phosphor bronze, or beryllium copper. Air, oil, gas and water services are the most common applications.

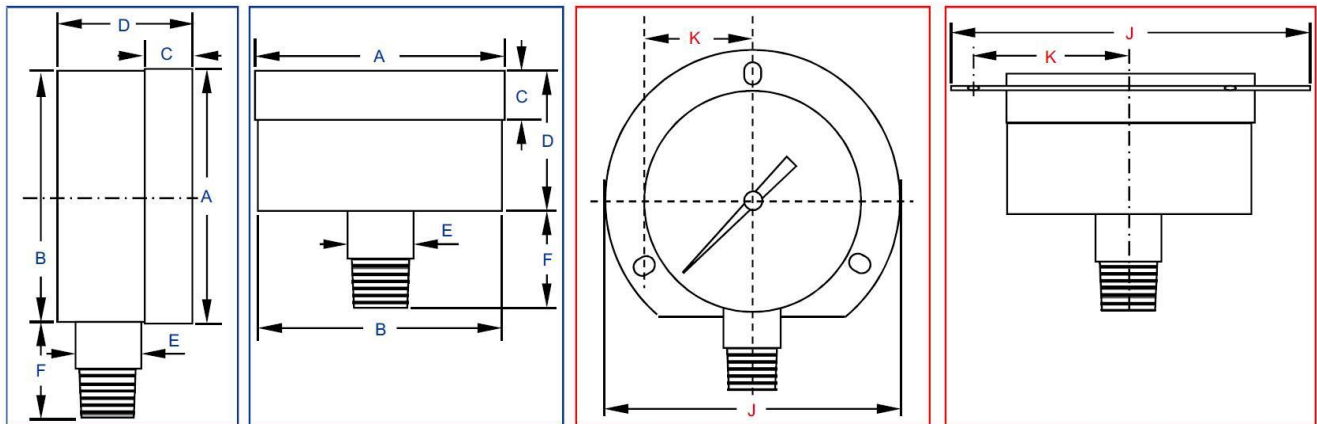


201A

Material Feature

指针 Pointer:	铝 Aluminium	外壳 Case:	钢 Mild Steel
机芯 Movement:	黄铜 Brass	表圈 Ring:	钢 Mild Steel
接头 Connection:	黄铜 Brass	螺纹尺寸 Thread Size:	1/8", 1/4", 3/8", 1/2"
精度 Accuracy:	2.5%/2.0%/1.6%*	弹簧管 Bourdon Tube:	磷青铜 Phosphorus Bronze
表面 Window:	亚克力 Acrylic	压力范围 Pres. Range:	VAC~9PSI~15000PSI
*可提供 2.0%/1.6%的精度 *2.0%/1.6% accuracy is available when required			

Dimensions



Code	Dia (mm)	Sizes (mm)											
		A	B	C	D	E	F	G	H	I	J	K	L
A201	40	42.0	41.0	8.0	24.0	11.0	17.0	-	-	-	60.5	26.3	-
B201	50	52.5	51.3	10.0	28.0	14.0	23.0	-	-	-	74.2	31.8	-
C201	63	63.2	62.0	10.0	28.0	14.0	23.0	-	-	-	84.0	36.7	-
D201	75	77.0	75.0	11.0	29.5	14.0	23.0	-	-	-	96.0	42.7	-
E201	80	79.0	77.6	11.0	29.5	14.0	23.0	-	-	-	105.5	46.8	-
G201	100	100.0	98.5	13.0	36.0	22.0	28.5	-	-	-	131.5	59.3	-

Main Mount type



Bottom Mount



Back Mount



Bottom Mount With Back Flange



Back Mount With Front Flange