

## 111 Series - Crimp All SS Liquid Filled Pressure Gauge

111 Series is all SS gauge with crimp bezel and glycerine. Silicon oil optional.



111A



111B



111D



111F

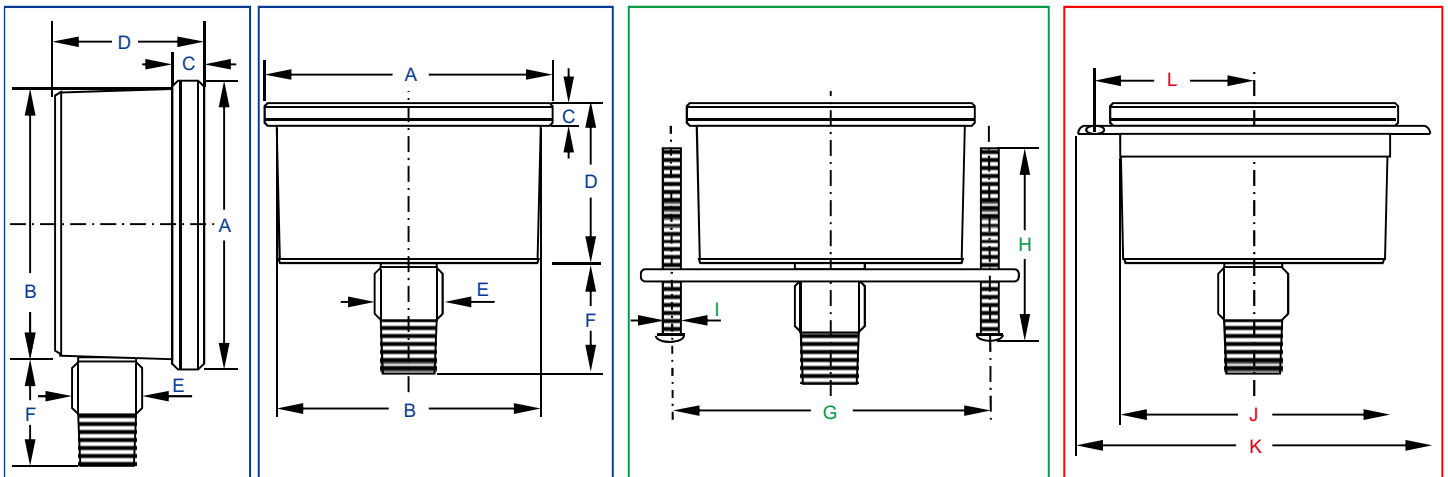
### Description

111 series are designed for critical environment or high pure devices with long durability, it has SS304 housing and SS316 internals, can be used in most corrosive atmospheres, vibration and pulsation environments, food industry, water supplier, medical, etc.

### Material Feature

<b>Case</b>	SS304, Polished	<b>Connection</b>	SS316 NPT/BSP/BSPT/Metric
<b>Ring</b>	SS304, Polished	<b>Thread Size</b>	1/8", 1/4", 3/8", 1/2"
<b>Window</b>	Polycarbonate or Tempered Glass	<b>Connection Type</b>	2 Parts
<b>Dial</b>	Aluminium	<b>Movement</b>	SS304
<b>Pointer</b>	Aluminium	<b>Bourdon Tube</b>	SS316L
<b>Accuracy</b>	1.6%/1.0%*	<b>Pres. Range</b>	VAC~9PSI~15000PSI

\*90% of the gauges are 1.0% accuracy under automated calibration technology even for 40mm.



### DIMENSIONS

Code	Dia (mm)	Size (mm)											
		A	B	C	D	E	F	G	H	I	J	K	L
A111	40	46.5	41.0	5.0	25.5	11.0	23.0	48.0	37.0	M4	43.0	62.0	26.5
B111	50	58.0	52.0	6.0	29.0	14.0	24.0	60.0	37.0	M5	54.0	73.0	32.0
C111	63	68.0	61.0	6.0	29.0	14.0	24.0	71.0	37.0	M5	63.0	84.0	37.0
D111	75	81.0	74.5	7.0	30.0	14.0	24.0	-	-	-	-	-	-
E111	80	87.0	80.0	7.0	30.0	14.0	24.0	-	-	-	-	-	-
G111	100	108.5	98.5	9.0	37.5	22.0	36.0	-	-	-	99.5	130.0	58.5