

## 183&184 Series - Bayonet All SS Welded Liquid Filled Pressure Gauge

### Description

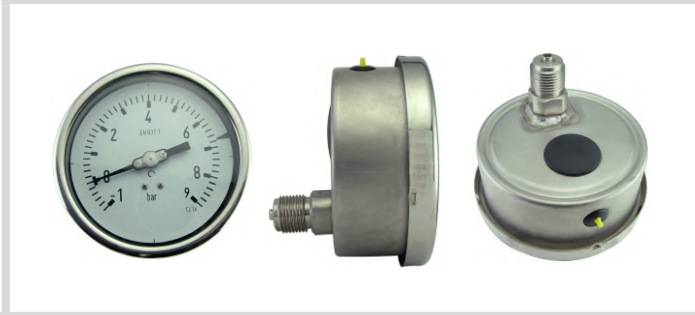
183 & 184 series are all SS gauges as 181 series but with bayonet bezel, it means this gauge is repairable. Filled glycerine/silicon oil. This series also can be used under critical environment, high pure devices, etc.

### Material Feature

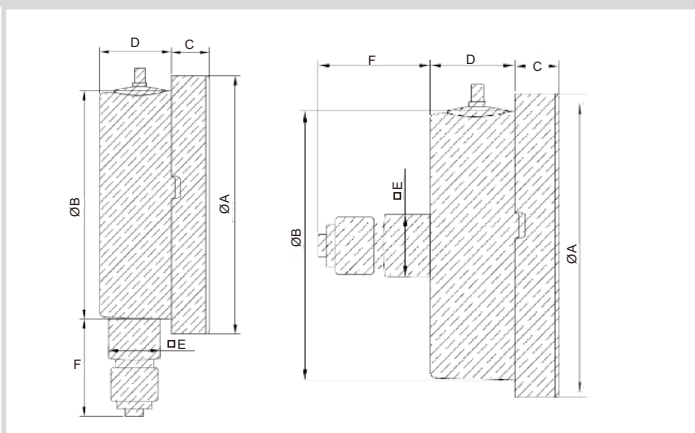
<b>Case</b>	SS304	<b>Connection</b>	SS316 NPT/BSP/BSPT/Metric
<b>Ring</b>	SS304	<b>Thread Size</b>	1/8", 1/4", 1/2", M14, M20
<b>Window</b>	Polycarbonate or Tempered Glass	<b>Movement</b>	SS304
<b>Dial</b>	Aluminium	<b>Bourdon Tube</b>	SS316L
<b>Pointer</b>	Aluminium	<b>Welding Type</b>	Argon-arc Welding
<b>Accuracy</b>	1.6%/1.0%*	<b>Pres. Range</b>	VAC~9PSI~30000PSI



183A 183B



G184B



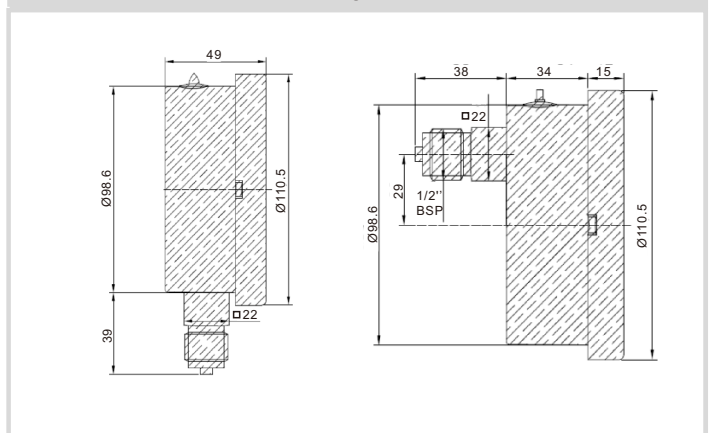
183A 183B



G184A



H184A



G184A G184B

### DIMENSIONS

Code	Dia (mm)	Size (mm)					
		A	B	C	D	E	F
B183/184	50	58.0	50.5	10.4	18.6	14.0	26.0
C183/184	63	69.0	61.0	10.4	18.6	14.0	26.0