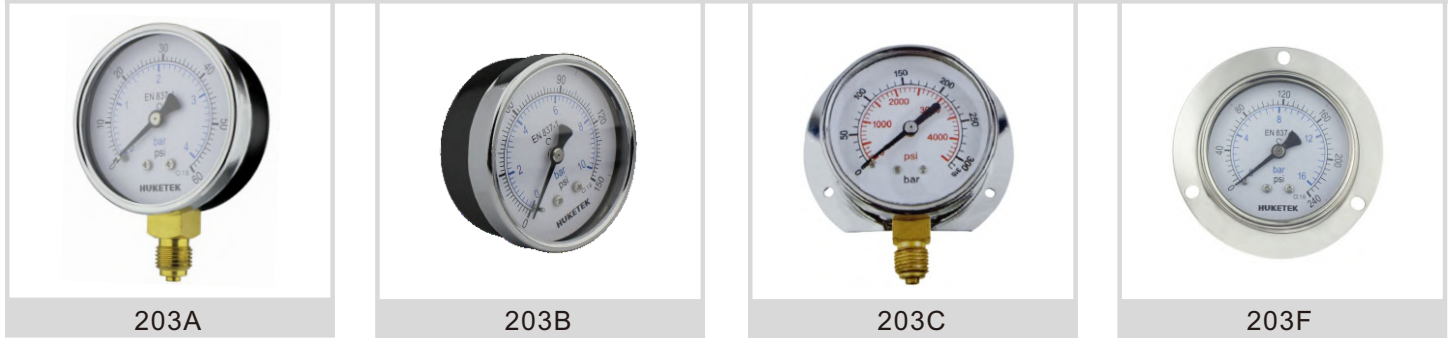


## 203 Series - Chromed Press On Steel Case Standard Pressure Gauge

203 Series has steel case with press on chromed steel ring, brass internals.



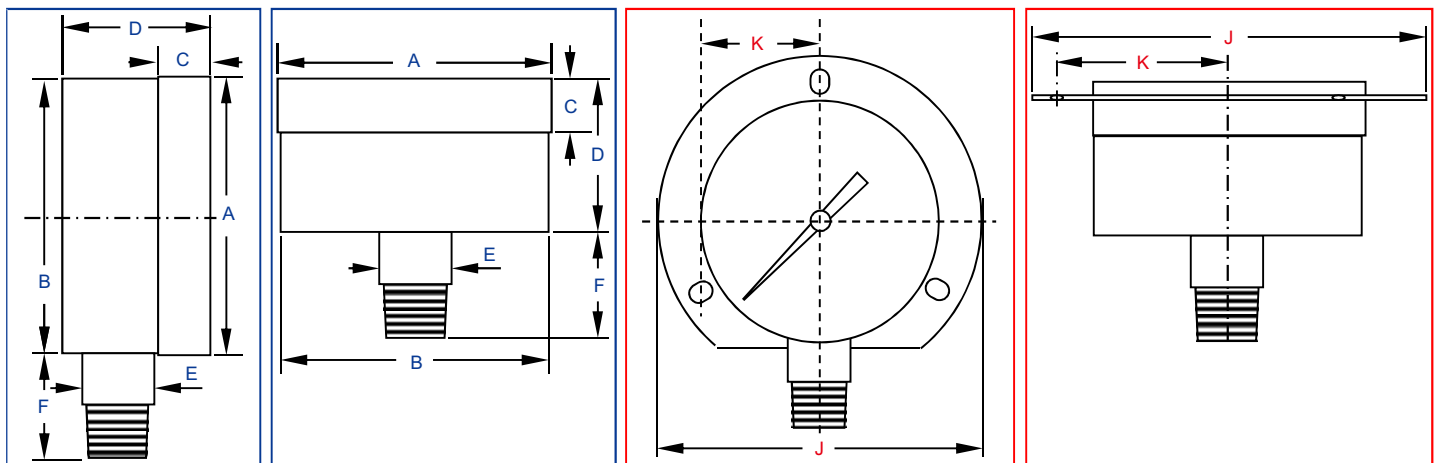
### Description

203 series is standard pressure gauges with mild steel case. The appearance and anti-corrosion of chroming is better than black.

### Material Feature

<b>Case</b>	Mild steel	<b>Connection</b>	Brass NPT/BSP/BSPT/Metric
<b>Ring</b>	Steel, Chromed	<b>Thread Size</b>	1/8", 1/4", 3/8", 1/2"
<b>Window</b>	Acrylic or Common Glass	<b>Connection Type</b>	1 Part
<b>Dial</b>	Aluminium	<b>Movement</b>	Brass
<b>Pointer</b>	Aluminium	<b>Bourdon Tube</b>	Phosphorus Bronze
<b>Accuracy</b>	2.5%/2.0%/1.6%/1.0%*	<b>Pres. Range</b>	VAC~9PSI~15000PSI

\*90% of the gauges are 1.0% accuracy under automated calibration technology even for 40mm.



### DIMENSIONS

Code	Dia (mm)	Size (mm)											
		A	B	C	D	E	F	G	H	I	J	K	L
A203	40	42.0	41.0	8.0	24.0	11.0	17.0	-	-	-	60.5	26.3	-
B203	50	52.5	51.3	10.0	28.0	14.0	23.0	-	-	-	74.2	31.8	-
C203	63	63.2	62.0	10.0	28.0	14.0	23.0	-	-	-	84.0	36.7	-
D203	75	77.0	75.0	11.0	29.5	14.0	23.0	-	-	-	96.0	42.7	-
E203	80	79.0	77.6	11.0	29.5	14.0	23.0	-	-	-	105.5	46.8	-
G203	100	100.0	98.5	13.0	36.0	22.0	28.5	-	-	-	131.5	59.3	-