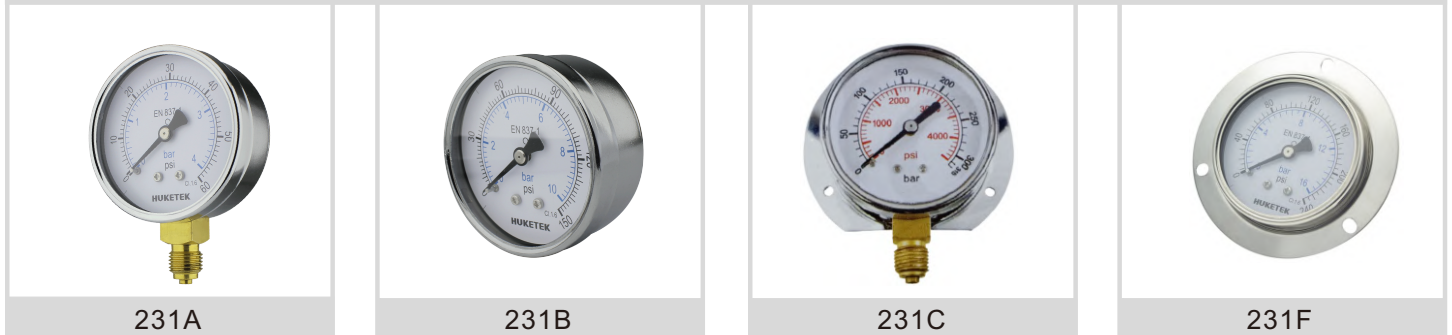


231 Series - Press On Chromed Steel Case Standard Pressure Gauge

231 Series has chromed steel case with press on chromed steel ring, brass internals.



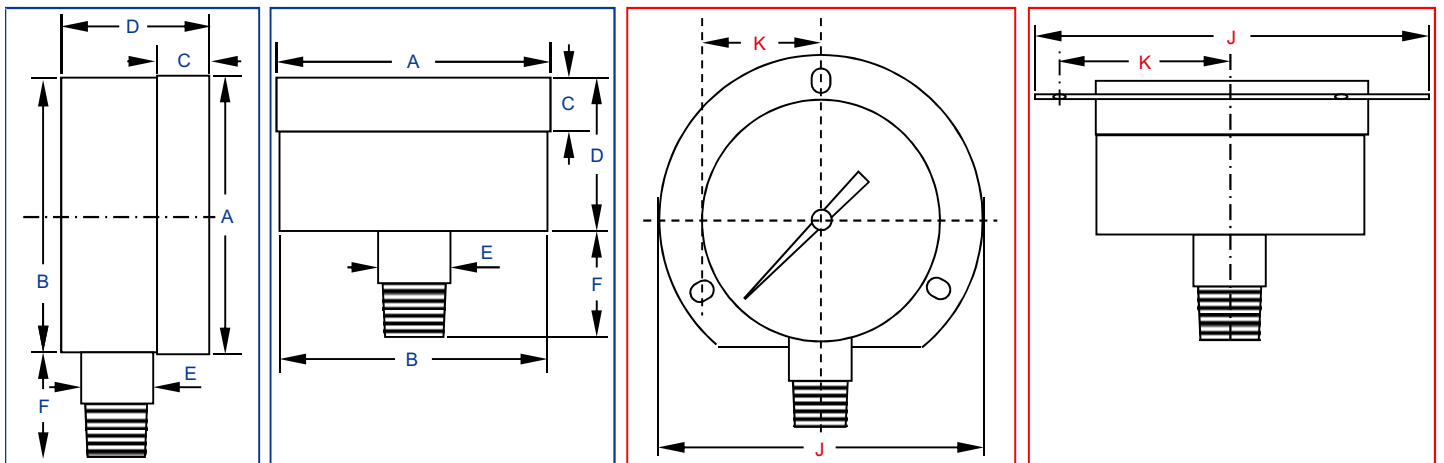
Description

231 series is standard pressure gauge with chrome plated mild steel case. The appearance and anticorrosion of chroming is better than black.

Material Feature

| | | | |
|-----------------|-------------------------|------------------------|---------------------------|
| Case | Mild Steel, Chromed | Connection | Brass NPT/BSP/BSPT/Metric |
| Ring | Mild Steel, Chromed | Thread Size | 1/8", 1/4", 3/8", 1/2" |
| Window | Acrylic or Common Glass | Connection Type | 1 Part |
| Dial | Aluminium | Movement | Brass |
| Pointer | Aluminium | Bourdon Tube | Phosphorus Bronze |
| Accuracy | 2.5%/2.0%/1.6%/1.0%* | Pres. Range | VAC~9PSI~15000PSI |

*90% of the gauges are 1.0% accuracy under automated calibration technology even for 40mm.



DIMENSIONS

| Code | Dia (mm) | Size (mm) | | | | | | | | | | | |
|------|----------|-----------|------|------|------|------|------|---|---|---|-------|------|---|
| | | A | B | C | D | E | F | G | H | I | J | K | L |
| A231 | 40 | 42.0 | 41.0 | 8.0 | 24.0 | 11.0 | 17.0 | - | - | - | 60.5 | 26.3 | - |
| B231 | 50 | 52.5 | 51.3 | 10.0 | 28.0 | 14.0 | 23.0 | - | - | - | 74.2 | 31.8 | - |
| C231 | 63 | 63.2 | 62.0 | 10.0 | 28.0 | 14.0 | 23.0 | - | - | - | 84.0 | 36.7 | - |
| D231 | 75 | 77.0 | 75.0 | 11.0 | 29.5 | 14.0 | 23.0 | - | - | - | 96.0 | 42.7 | - |
| E231 | 80 | 79.0 | 77.6 | 11.0 | 29.5 | 14.0 | 23.0 | - | - | - | 105.5 | 46.8 | - |
| G231 | 100 | 100.0 | 98.5 | 13.0 | 36.0 | 22.0 | 28.5 | - | - | - | 131.5 | 59.3 | - |