

## Sensored Pressure Gauge

☆ Sensored Pressure Gauge material including stainless steel, all stainless steel, mild steel.

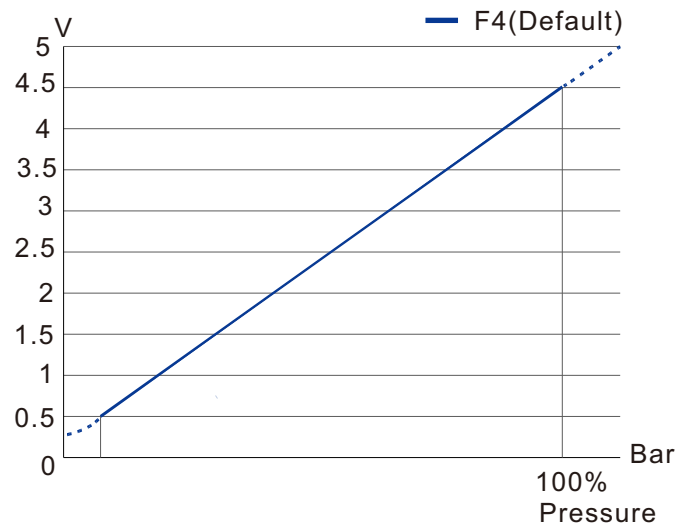
☆ It's linear volt output, the output is based on a mechanical system with extra compensation.

### Specification

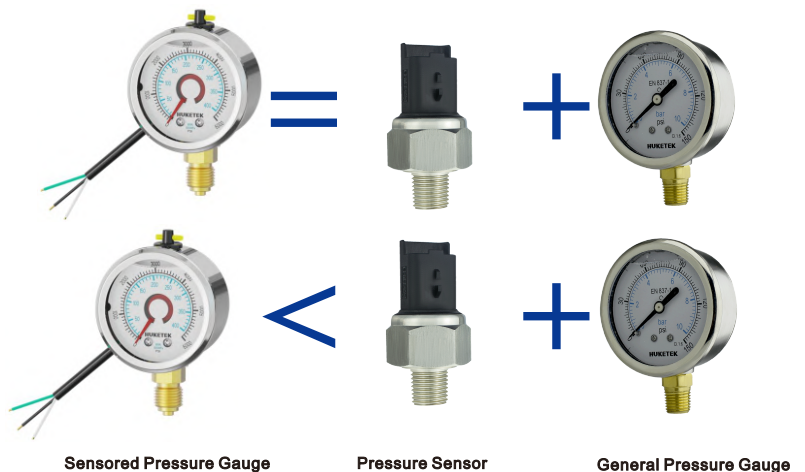
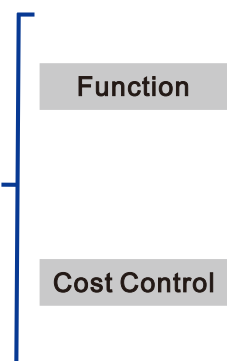
<b>Sizes</b>	B:50mm C: 63mm G: 100mm		
<b>Window</b>	Polycarbonate/ Tempered Glass/ Laminated Glass		
<b>Accuracy</b>	Mechanical: 1.6%/1.0%*    Electrical: 1.0%/0.6%* (*Available under request)		
<b>Dial</b>	Plastic	<b>Pressure range</b>	VAC~9PSI~15000PSI
<b>Pointer</b>	PA66+30%GF	<b>Advantages</b>	Reliability, visibility, precision

### Output Types

Signal Type (Can be customized)		
Signal	Input	Output
F4 (Default)	5v	0bar/0.50v~F.S./4.50v
F5	5v	0bar/0.25v~F.S./4.15v
F6	5v	0bar/0.25v~F.S./4.75v
F7	5v	0bar/0.50v~F.S./4.41v
T4	9~24v	0bar/0.50v~F.S./4.50v
T5	9~24v	0bar/0.25v~F.S./4.15v
T6	9~24v	0bar/0.25v~F.S./4.75v
T7	9~24v	0bar/0.50v~F.S./4.41v



### Comparison Chart



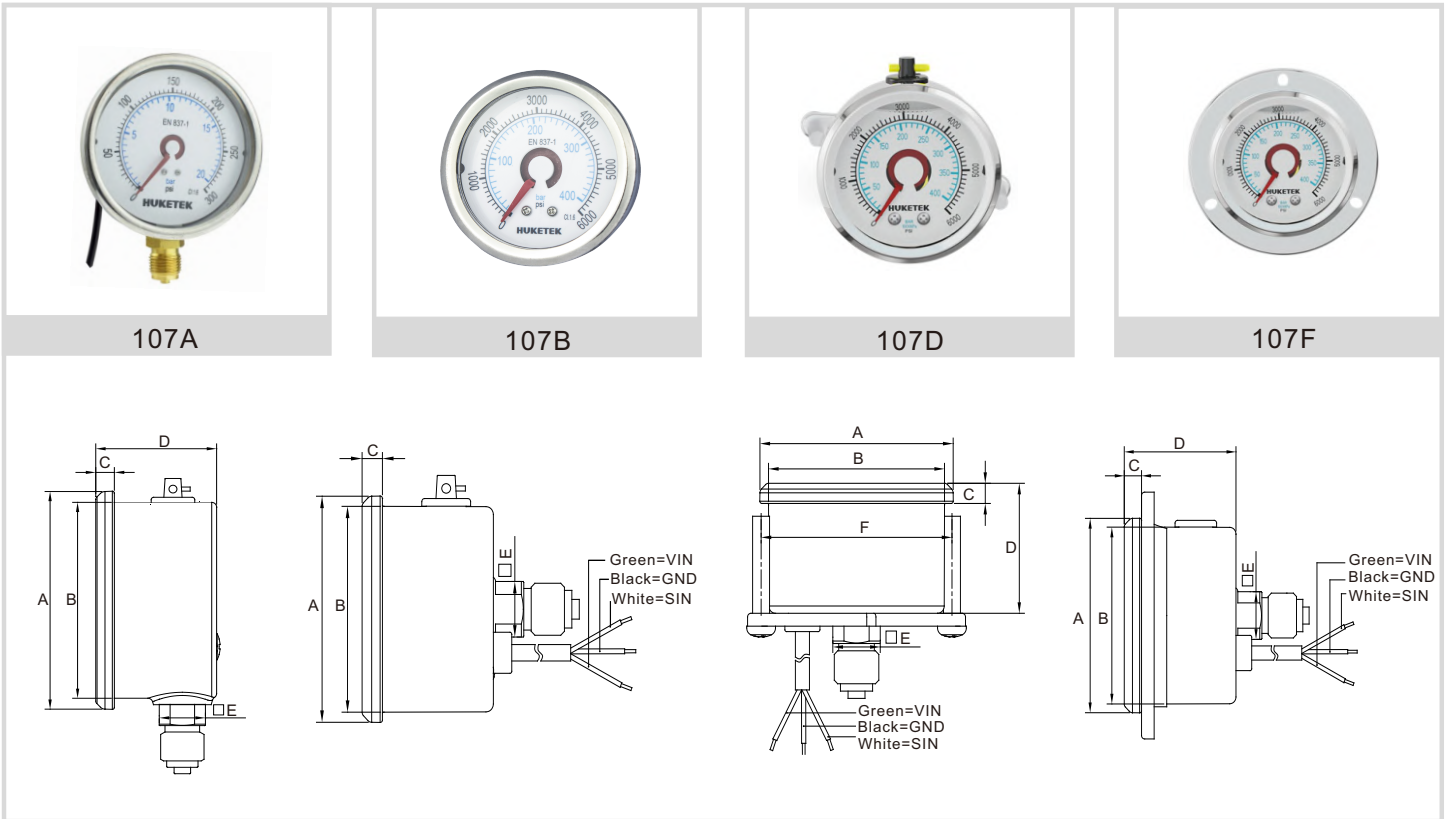
## 10 Series - SS Case Sensored Pressure Gauge

☆ 10 series is linear volt output, the output is based on a mechanical system with extra compensation.

### Material Feature

<b>Sizes</b>	LB:50mm LC:63mm LG:100mm	<b>Connection</b>	Brass NPT/BSP/BSPT/Metric
<b>Case&amp;Ring</b>	SS304, Polished	<b>Connection Type</b>	LB107 & LC107: 1 Part LG101: 2 Parts
<b>Movement</b>	Brass	<b>Protection</b>	IP67
<b>Bourdon Tube</b>	Phosphorus Bronze	<b>Accuracy</b>	Mechanical: 1.6%/1.0%* Electrical: 1.0%/0.6%*
<b>Filling Liquid</b>	Dry		
<b>Pressure range</b>	VAC~9PSI~15000PSI		

\*90% of the gauges are 1.0%/0.6% accuracy under automated calibration technology even for 40mm.



### DIMENSIONS

Code	Dia (mm)	Size (mm)					
		A	B	C	D	E	F
LB107	50	57.0	52.0	6.0	36.0	14.0	60.0
LC107	63	68.0	61.0	6.0	36.0	14.0	71.0
LG101A	100	108.0	99.0	7.0	40.0	22.0	-
LG101B	100	108.0	99.0	7.0	38.0	22.0	-
LG101D	100	108.0	99.0	7.0	38.0	22.0	116.0
LG101F	100	108.0	99.0	7.0	38.0	22.0	-