

Sensored Pressure Gauge

☆ Sensored Pressure Gauge material including stainless steel, all stainless steel, mild steel.

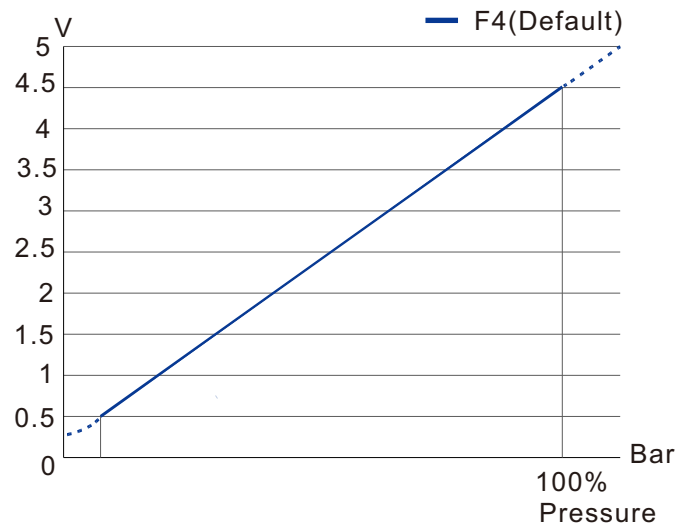
☆ It's linear volt output, the output is based on a mechanical system with extra compensation.

Specification

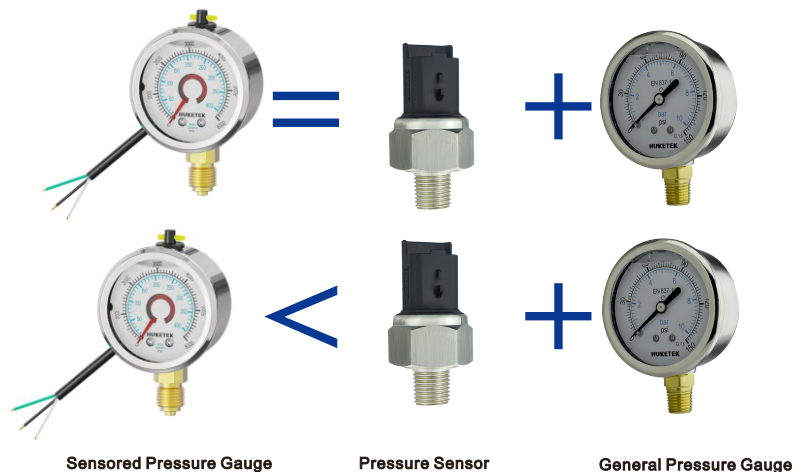
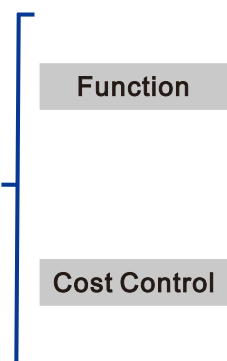
Sizes	B:50mm C: 63mm G: 100mm		
Window	Polycarbonate/ Tempered Glass/ Laminated Glass		
Accuracy	Mechanical: 1.6%/1.0%* Electrical: 1.0%/0.6%* (*Available under request)		
Dial	Plastic	Pressure range	VAC~9PSI~15000PSI
Pointer	PA66+30%GF	Advantages	Reliability, visibility, precision

Output Types

Signal Type (Can be customized)		
Signal	Input	Output
F4 (Default)	5v	0bar/0.50v~F.S./4.50v
F5	5v	0bar/0.25v~F.S./4.15v
F6	5v	0bar/0.25v~F.S./4.75v
F7	5v	0bar/0.50v~F.S./4.41v
T4	9~24v	0bar/0.50v~F.S./4.50v
T5	9~24v	0bar/0.25v~F.S./4.15v
T6	9~24v	0bar/0.25v~F.S./4.75v
T7	9~24v	0bar/0.50v~F.S./4.41v



Comparison Chart



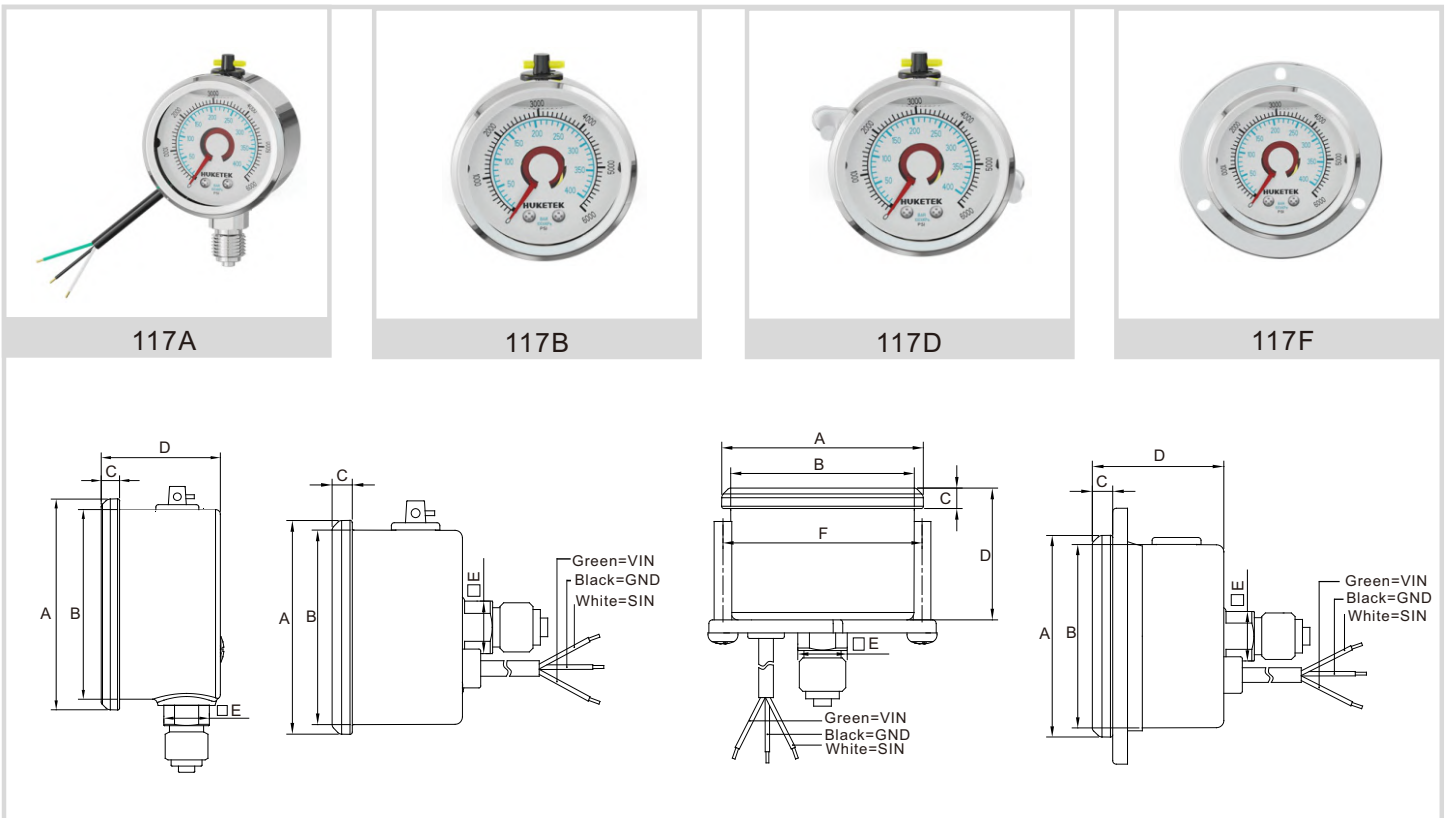
11 Series - All SS Sensored Pressure Gauge

☆ 11 series is linear volt output, the output is based on a mechanical system with extra compensation.

Material Feature

Sizes	LB:50mm LC:63mm LG:100mm	Connection	SS316 NPT/BSP/BSPT/Metric
Case&Ring	SS304, Polished	Connection Type	LB117 & LC117: 1 Part LG111: 2 Parts
Movement	SS304	Protection	IP67
Bourdon Tube	SS316L	Accuracy	Mechanical: 1.6%/1.0%* Electrical: 1.0%/0.6%*
Filling Liquid	Dry		
Pressure range	VAC~9PSI~15000PSI		

*90% of the gauges are 1.0%/0.6% accuracy under automated calibration technology even for 40mm.



DIMENSIONS

Code	Dia (mm)	Size (mm)					
		A	B	C	D	E	F
LB117	50	57.0	52.0	6.0	36.0	14.0	60.0
LC117	63	68.0	61.0	6.0	36.0	14.0	71.0
LG111A	100	108.0	99.0	7.0	40.0	22.0	-
LG111B	100	108.0	99.0	7.0	38.0	22.0	-
LG111D	100	108.0	99.0	7.0	38.0	22.0	116.0
LG111F	100	108.0	99.0	7.0	38.0	22.0	-